

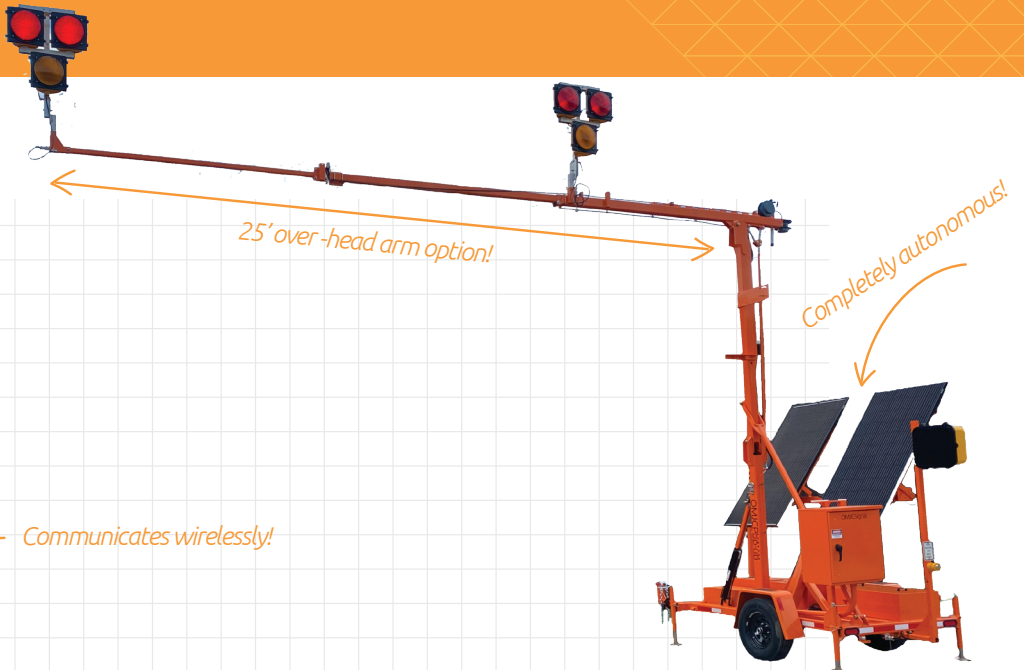


POP-UP PORTABLE CROSSWALK

PU-XWALK

THE CROSSWALK OF THE FUTURE

Designed for mobility and ease of use, the Pop-Up Crosswalk is the first portable crosswalk of it's kind and is manufactured exclusively by OMJC Signal. Engineered to run autonomously off of batteries charged by solar panels, the PU-XWALK model utilizes a 2070 ATC traffic controller and communicates wirelessly our proven 900 mhz bulletproof radio system



deploys
in just minutes!

standard
traffic equipment equals safety!

1,000's
of pedestrians safely crossed!

Communicates wirelessly!

Completely autonomous!

MOBILE PEDESTRIAN SIGNALS